

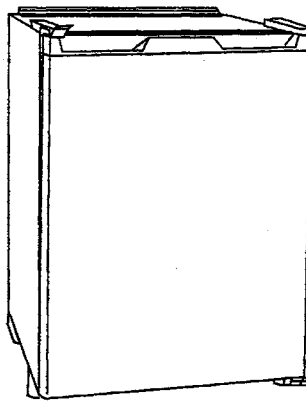
# Operating and Installation Instruction

## Truck Refrigerator

D.C. 12~16 Volts

[Electric Thermomodule (Peltier) Type]

Model : NR-A4UT1-K, Right side door



**Panasonic**<sup>®</sup>

Before operating your refrigerator, please read these instructions completely.  
Keep this instructions for reference in case of need.  
Warranty card is attached separately.

# Table of Contents

Index	Page
Safety Precautions .....	3
Parts Identification .....	4
Operation .....	4
Cleaning .....	7
Installation Precaution .....	8
Installation Material .....	8
Heat Discharge Space .....	9
Installation Procedures .....	10
Service Information .....	12

## Owner's Record

Model Nr. NR-A4UT1-K

Serial Nr.

The serial number of this product  
may be found inside of the unit.

Dealer's Name

Dealer's Address

Date of Purchase

# Safety Precautions

Read this safety precautions completely before use.

Use this appliance in accordance with all applicable codes and regulations.

## [Warning]

- \* Do not splash water on the unit outside and inside.  
Splashed water may cause electric shock and fire accident.
- \* Do not put any flammable materials inside, like sprays, lacquers, paints, gasoline, etc.
- \* Do not keep medicines and other materials which require colder temperature below 41° F.
- \* Do not insert any objects into the heat exchanger (heat condensation)  
It may cause electric shock, injuries or damage to the unit.  
Please disconnect the power leads and stop operation when something is wrong, troubles, defects.
- \* Do not disassemble, repair or modify by yourself. All repairs on this appliance must be performed by qualified personnel only.
- \* Any unauthorized modifications to this appliance will void the warranty and may cause malfunction and/or injury.
- \* Handle electrical wires and power connector with caution.  
Do not apply excessive force to electric wires.
- \* Contact an authorized Panasonic Service Centers when repairs are needed.
- \* Make sure to use AWG14 of power supply leads from truck batteries or more bigger diameter leads. Otherwise it may cause of temperature rise of leads and can be smoking or fire accident.

## [Cautions]

- \* For temporary cooling of perishable, average cooling temperature is 41° F, do not use for long term storage.
- \* Do not pull this appliance when handling. It may damage the floor.
- \* Carry this appliance grasping the bottom.
- \* Do not hold the door when carrying. It may cause door distortion.

# Parts Identifications

- ① Internal Fan
- ② Door Latch
- ③ Door Latch Plate
- ④ Shelf
- ⑤ Bottle Shelf
- ⑥ Recessed Area
- ⑦ Fixed leg

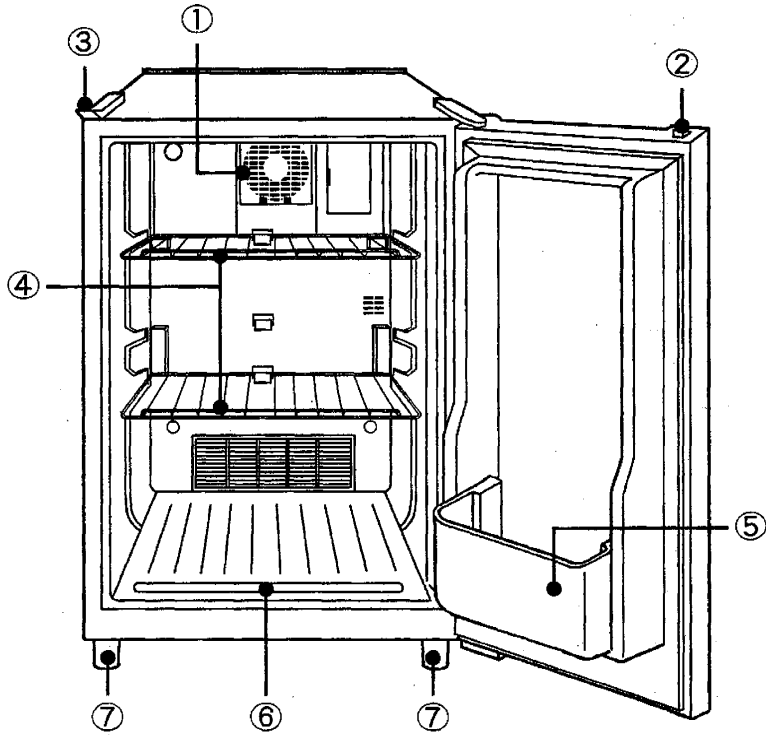


Fig.1

## Operation

### Temperature Setting

The Internal temperature of this refrigerator is set at approx. 41°F at any ambient temperatures from 41°F to 86°F. You need not to adjust the internal temperature. (Automatic Setting)

**Note:** When you supply power to this appliance, it operates continuously. Internal fan will not stop during the door open. When ambient temperature in the truck cab is lower than 41°F, or higher than 115°F, this appliance will shut down. Do not put TV set above the refrigerator. It may cause the problems with TV reception.

# Operation

## Door Opening / Closing

The door of this appliance is locked by the door latch to avoid door opening by shock or vibration during driving.

**Open:** Open the door by first lifting up the door latch plate.

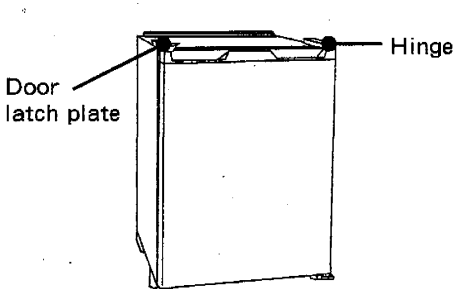


Fig.1

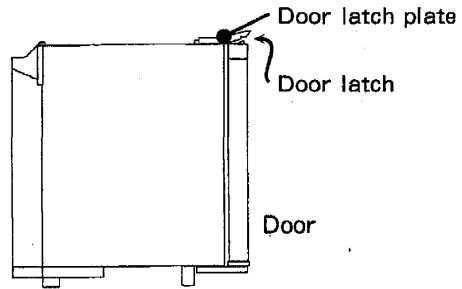


Fig.2

**Close:** Push the door closed and insert the door latch.

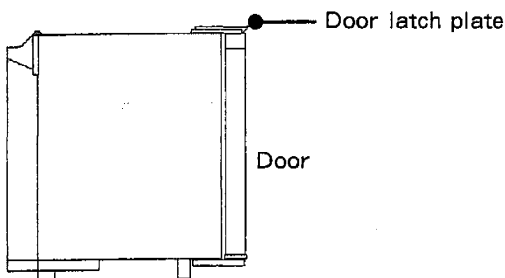


Fig.3

**Note:** Do not apply excessive force to the door latch plate so as to cause distortion to the plate.

## Low Voltage Disconnection

When truck battery voltage drops below regulated voltage, this appliance stops operation automatically to avoid over discharge of truck batteries.

Truck batteries drainage varies depending on the ambient temperature and the condition of truck battery charging level.

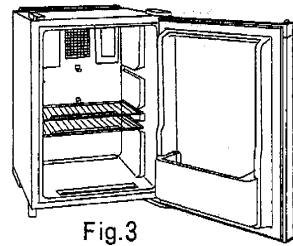
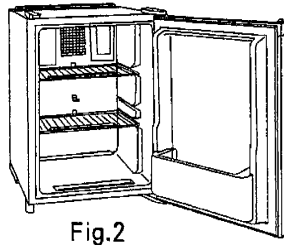
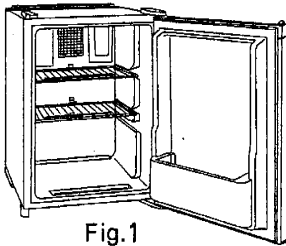
# Operation

## Use of Shelves

This appliance has two shelves inside.

### 1) Adjust of hight

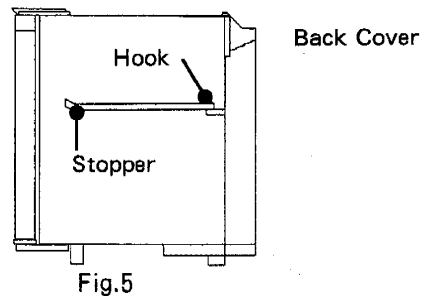
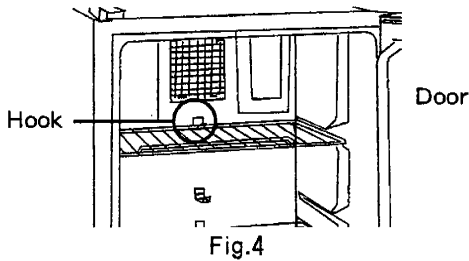
You can change the hight of shelves as illustrated according to the hight of foods or beverages.



### 2) Install the shelves

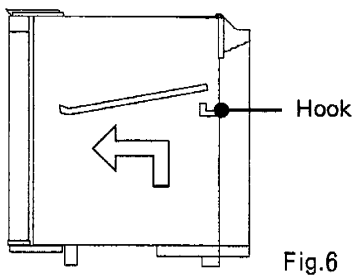
The shelf has the stoppers in front to avoid the shifting of foods.

The shelf is hooked to the inner wall to keep the shelf from coming loose.



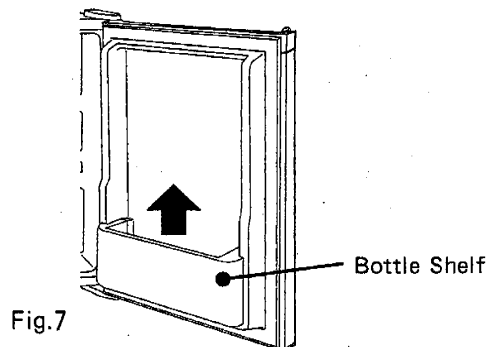
### How to detach the shelves

Lift the rear of shelf up and pull it forward.



### How to detach bottle shelf

Lift the bottle shelf upward.



# Cleaning

## How to clean the refrigerator

- 1) The shelves are removable and should be cleaned periodically.
- 2) Door gasket and recessed area should be kept clean and free from food particles.
- 3) Use only warm water and mild liquid detergent (dishwasher type) to clean this appliance.
- 4) Make sure all washed surfaces are wiped dry.

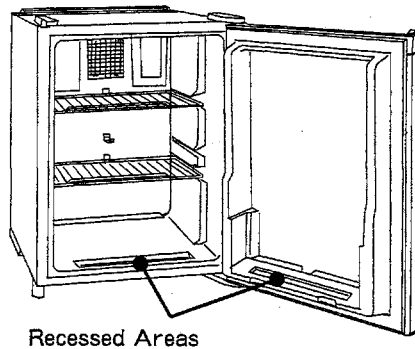


Fig.1

**Notes:** 1) Do not use following materials for cleaning.

The detergents which contain alkaline.

Alkaline detergent can cause damage to plastic parts.

Polishing powder, powder soap, petroleum, hot water, brush, acid, benzine, thinners and alcohol.

These materials can damage the surface of paint and plastic.

- 2) Wipe off any oil which may drip on the surface of plastics. It can cause damage to plastic.

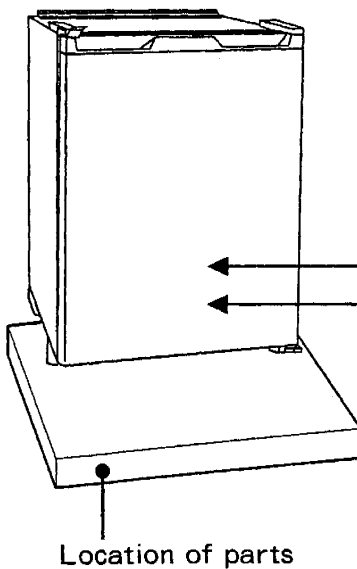
# Installation Precaution

- \* The rated input voltage for this appliance is D.C. 14Voltage (when engine on). Connect to the 12 Voltage truck battery connector. Do not connect to 24 Voltage.
- \* This refrigerator does not start operation if you do not put the engine on.
- \* Once it starts operation, it will continue operation even after engine is turned off, when truck batteries reach low voltage, the low voltage disconnect circuit shuts power to refrigerator to avoid over discharge of truck batteries.
- \* Installation must be done by qualified personnel only.
- \* Install the refrigerator tightly to the installation box using the enclosed installation metal parts and screws in order to secure operation of refrigerator during truck driving.
- \* Mounting screw torque must be between 17.7 lbf.in to 35.4 lbf.in.

**Notes:** Packaging location of metal parts

Installation metal parts are packed in the refrigerator.

# Installation Material



## Parts List

Parts Name	Q'ty
Installation metal parts	4
White Screws for installation metal parts	8
Black Screws for installation box	4

## Accessory List

Operating and Installation Instructions	1
Warranty card	1

Self-tapping Screws (Size: M5 × 9/16 inches (14mm))      Installation metal parts

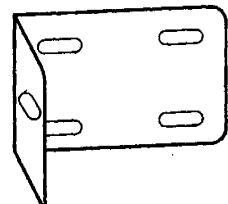
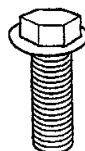


Fig.1

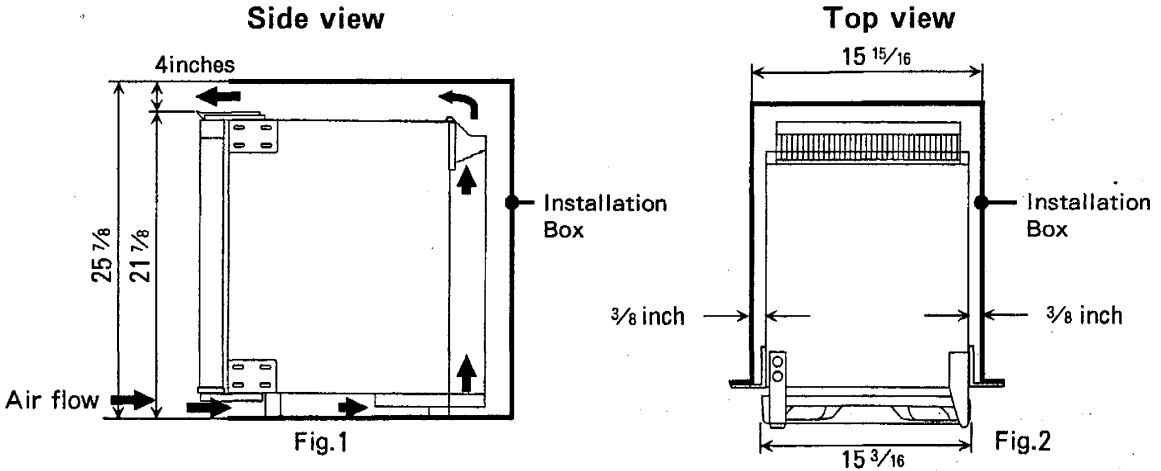


# Heat Discharge Space

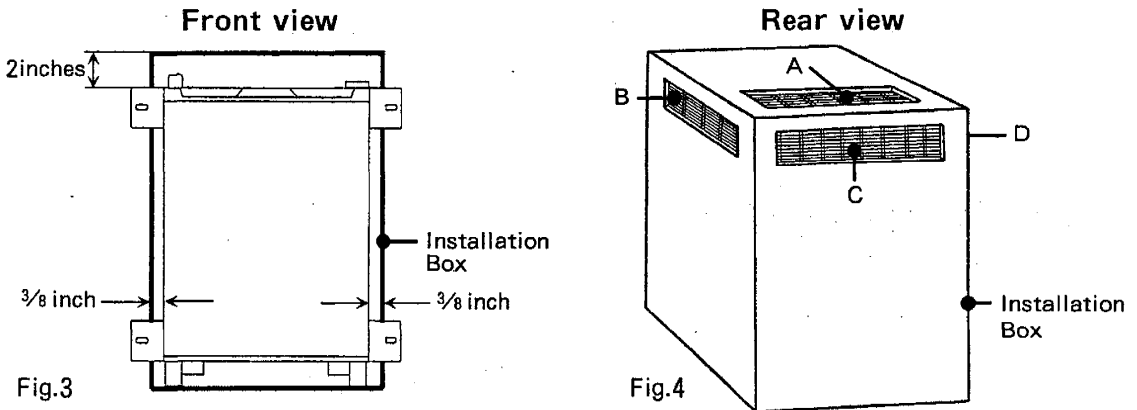
This appliance should be installed into the installation box.

To ensure optimum performance and sufficient air flow, make sure that all clearances shown in the figures below are strictly adhered to.

Do not install this appliance in a high humidity environment, direct sun, or in close proximity to heat sources.



\* In case you can not secure more than 4 inches clearance over the refrigerator, (in the installation box) you must provide at least 2 inches clearance along with a 40sq. inch rectangular opening on one of the locations shown in the fig 4 A,B,C, or D.



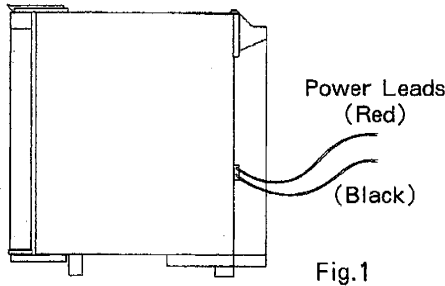
- Notes:**
- \* Do not put any obstacles at the bottom of the front door of refrigerator. Insufficient air intake may cause the malfunction of the unit.
  - \* Do not put any obstacles over the top of installation box.
  - \* Secure the minimum clearance, more than 2 inches between the wall and the rear air outlet.
  - \* Make sure not to cover the ventilation outlets on the installation box by curtains or bed sheets.

# Installation Procedures

## 1) Connection of Power Leads

Do this process before you install this appliance into the box.

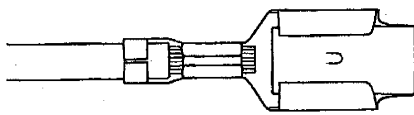
The electric power leads for this appliance locate on the back of refrigerator. The leads are black and red colored wires with 14 voltaged. The edge of leads are pre-stripped with 10 mm strip for easy connection. Use AWG14 of power leads from truck batteries or more bigger diameter leads.



## 2) Attach terminals on the leads

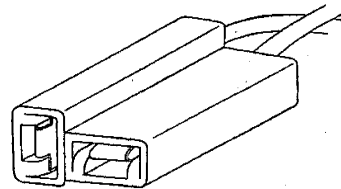
Cramp the terminal to the leads.

See illustration below.



Terminal (Example)

Fig.2



Connector (Example)

Fig.3

## 3) Wiring Specifications

Refrigerator side.

Truck side.

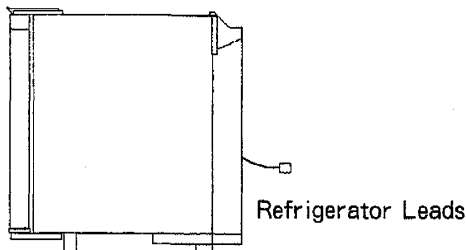


Fig.4

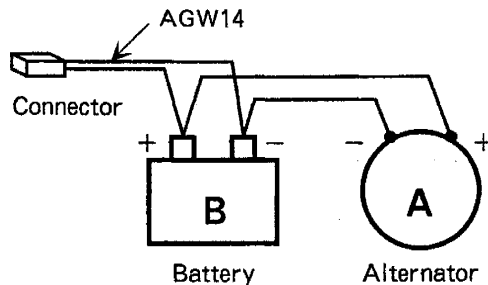


Fig.5

**Note:** Do not install any switch between the refrigerator and truck batteries. It may cause the drop of voltage and malfunction of refrigerator cooling.

# Installation Procedures

## 4) Installation Procedure of Refrigerator to Installation Box

- ① Attach the installation metal parts on the sides of refrigerator using the screws provided at 4 points, A, B, C, D as illustrated. Use upper hole to attach the upper installation metal parts, lower hole for the lower installation metal parts.

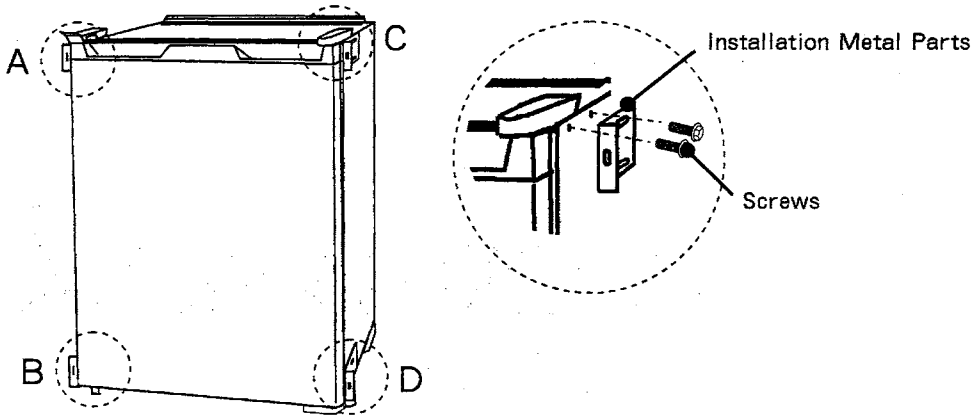


Fig.1

- ② Connect the power lead to the connector. Make sure the polarity (+ / -) of power leads are properly connected. Reverse polarity may cause the fuse on the PCB to open.
- ③ Insert the refrigerator into the installation box.
- ④ Attach the refrigerator to the installation box using screws provided.

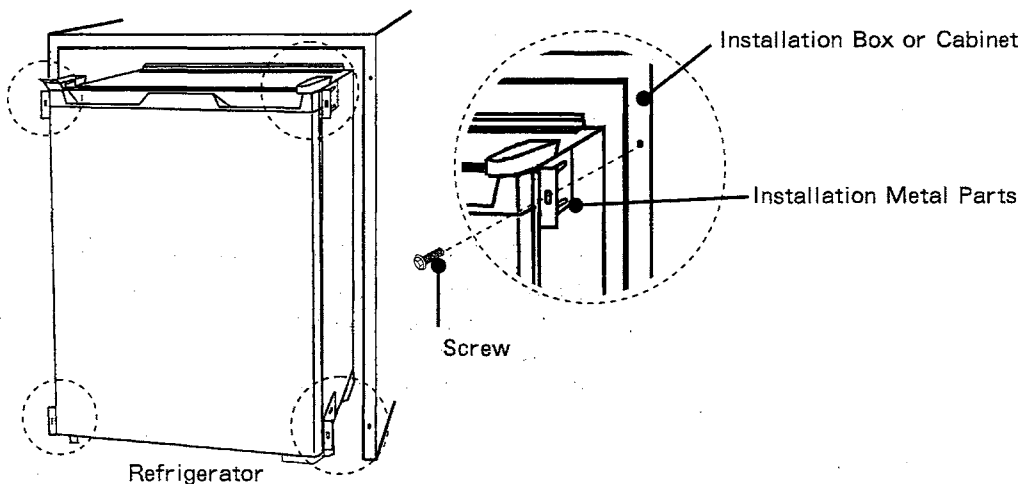


Fig.2

# Installation Procedures

## 5) After Installation

Make sure following point after installation of this refrigerator.

- \*Cooling performance                      You must switch the engine on to check the cooling operation of the unit.  
This refrigerator does not start operation when engine is off.
- \*Air ventilation clearance
- \*Refrigerator is firmly secured to installation box.

## Service Information

For Product Information, Operation Assistance, Literature Request, Customer Service Inquiries, please contact your dealer.

Panasonic Consumer Electronics Company  
Division of Panasonic Corporation of North America  
One Panasonic Way, Secaucus, New Jersey 07094  
<http://www.panasonic.com>

© 2005 Matsushita Refrigeration Company All Right Reserved.

AK-K03001